

### Dual Controller Wiring

Use of a single 610-012A for a 3 phase part winding motor will provide only a minimum level of protection when only 3 current transformers (CT) are installed.

In order to achieve complete overcurrent protection on a 3 phase part winding motor you must use two 610-012A Overcurrent Motor Protectors, one for each winding of the motor and 3 current transformers on each winding. The control voltage return for each of the line voltage contactors must be run in series through the relays of the two 610-012A controls to insure that a trip of one of the 610-012A units will serve to disconnect both winding contactors.

#### IMPORTANT:

Each control should have its trip level selected and adjusted to 50% of the Full Load Amps (FLA) value of the motor, plus the required additional % for the protection desired.

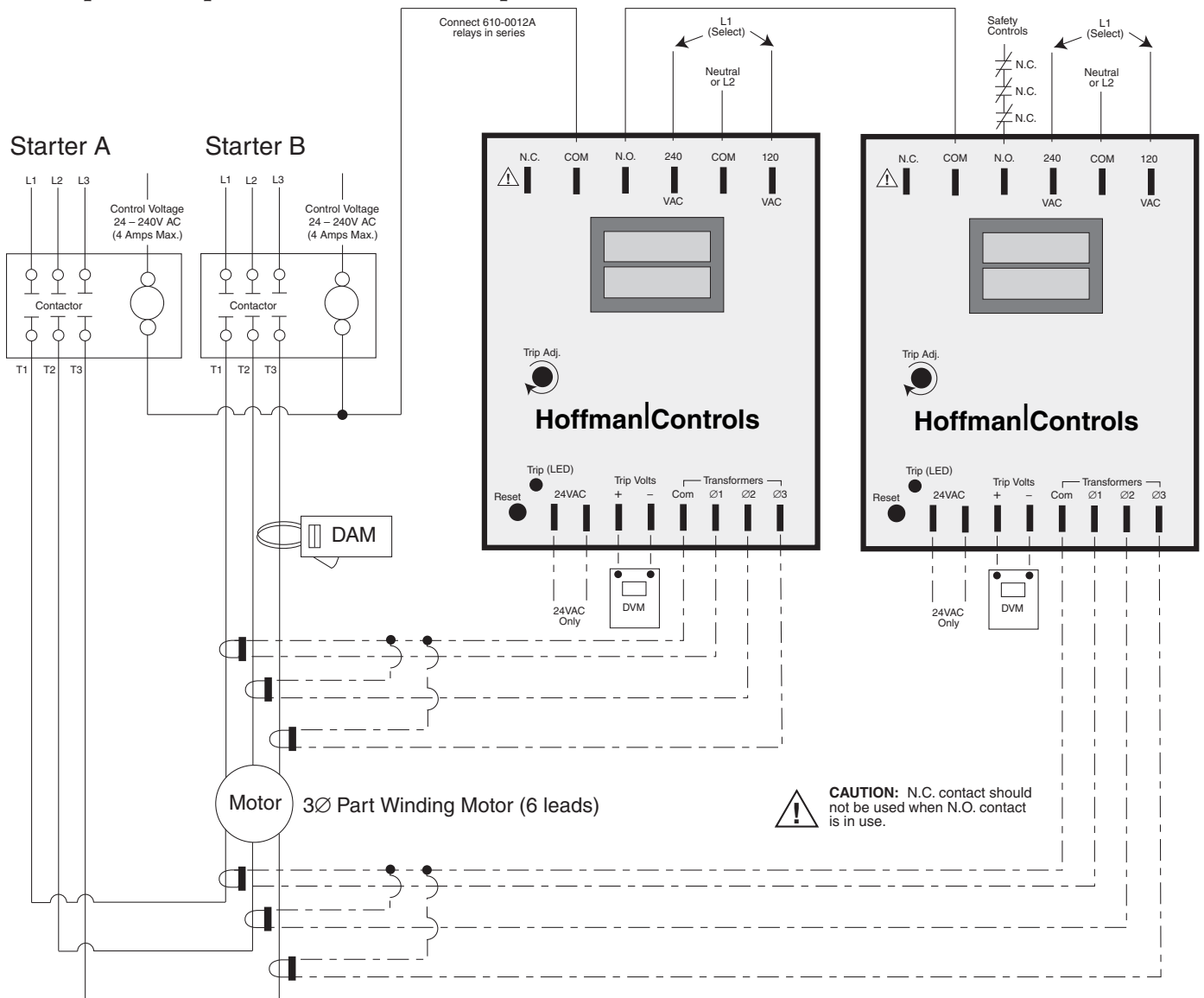


Figure 1 - Two 610-012A Controllers Required for Full Protection of a Part Winding Motor