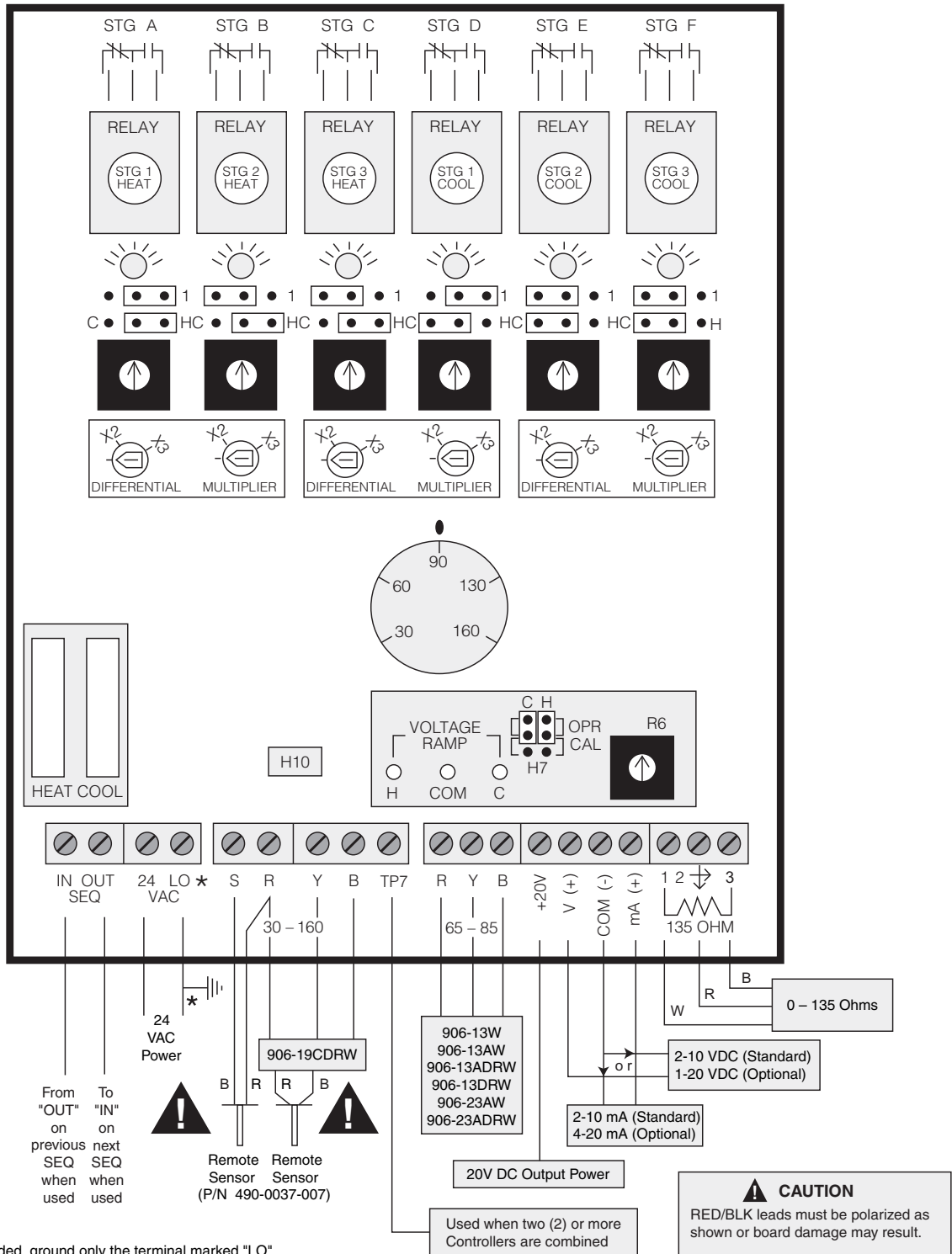


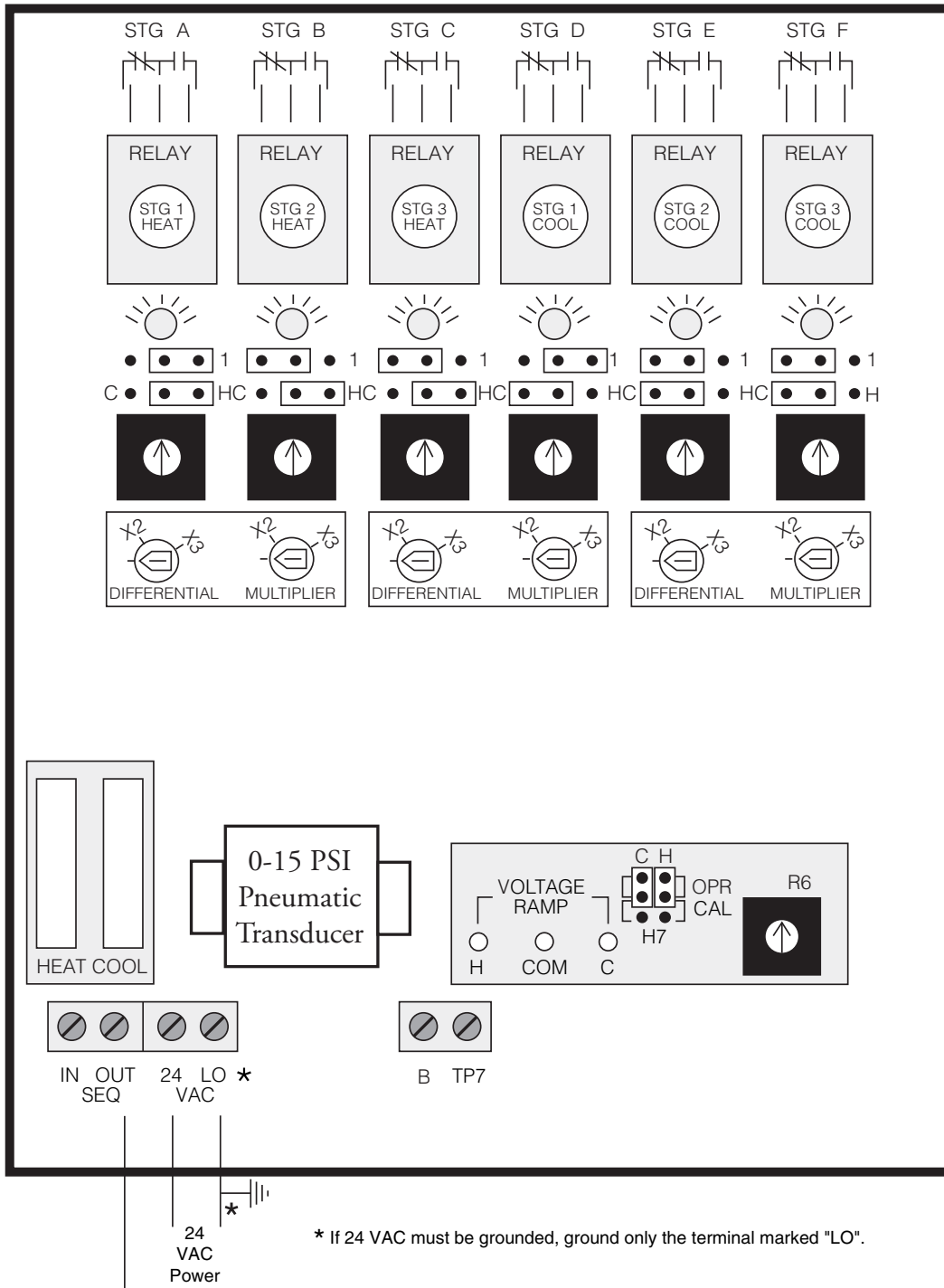
744-HC



* If 24 VAC must be grounded, ground only the terminal marked "LO".

744-HC Series Input/Output Wiring Diagram
Illustrated with 3 Stages Heat and 3 Stages Cooling

744-HCP



**744-HCP Series Input/Output Wiring Diagram
Illustrated with 3 Stages Heat and 3 Stages Cooling**

Hoffman|Controls