

Hoffman|Controls

Product Data

906 -13V(AC) Series Thermostats



906-13V(AC) Series Thermostat

Description

The 906-13V(AC) Series thermostat is designed to provide a proportional 2-10V DC output signal. The Span is proportional over 2°F. The thermostat has an automatic or manual changeover mode capability that allows the thermostat to function in a Direct Acting (cooling) or Reverse Acting (heating) mode.

The thermostat's output signal is derived from a 10K thermistor that produces the DC output in millivolts. The thermostat range is 65°-85°F in one degree F markings. A remote sensor with wall set point is also available.

A remote manual, or automatic, "On-Off" switch is optional to power the thermostat with 24V AC. The Direct or Reversing mode function can be selected by the installer permanently as would be required for the application. This mode function could be manually determined by a remote switch closure, or automatically determined by an aquastat in the air distribution system, or by the heating or cooling medium. The accessory aquastat (P/N 510-0075-002), closes at temperatures above 88°F and opens at temperatures below 68°F. The aquastat is used to indicate the temperature of the fluid that is available in the coil (heat exchanger). Switch closure programs the thermostat for Reverse

Acting (heating) while switched open provides a Direct Acting (cooling) function.

The 906-13V(AC) Series thermostats are miniature and horizontal in type and in design, and come furnished with a base plate for mounting directly to the wall or a 2x4 J Box. The case is white.

Application

The 906-13V(AC) Series thermostats can be used with any HCC control, EMS control or any other device that accepts a 2-10V DC input signal.

Specifications

Series	906-13V(AC)
Power	24V AC
Min/Max	20-30V AC
VA	4.0
Span	2°F
Output Signals	2-10V DC
Set Point Range	65°-85°F
Sensor Output	10K
Accuracy	+/- 0.5°F

Standard Features:

System Switch (By remote)	On/Off
Mode	Direct or Reverse
Changeover	Fixed Local or Auto Remote

Optional Features/Accessories:

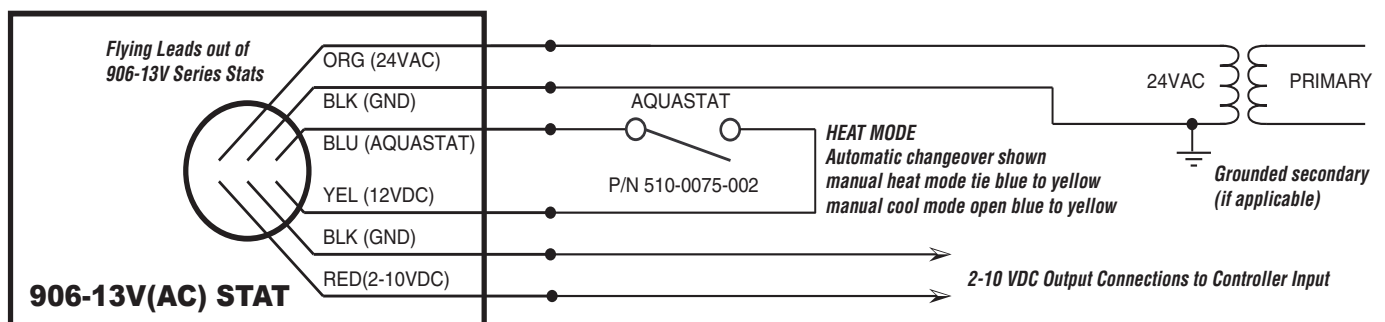
Aquastat			
P/N 510-0075-002	N.C. @ 88°F,	N.O. @ 68°F	
Non Standard Span			Consult Factory

Stock Models

906-13V(AC) Wall Sensor 65°-85°F

906-13V(AC)R Remote Sensor 65°-85°F

Note: Consult factory for V DC power models.



Hoffman|Controls