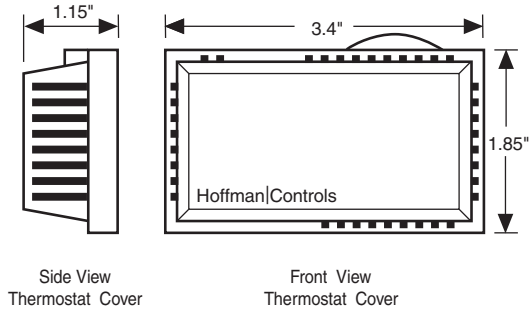


Hoffman|Controls

Wiring Dimensional Diagrams

900/901/906 Series

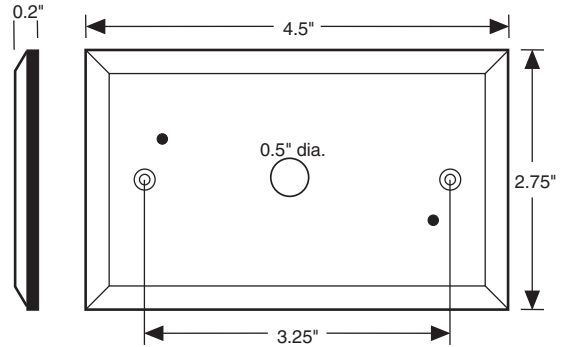
SCR-Sequencing Control Systems



Side View
Thermostat Cover

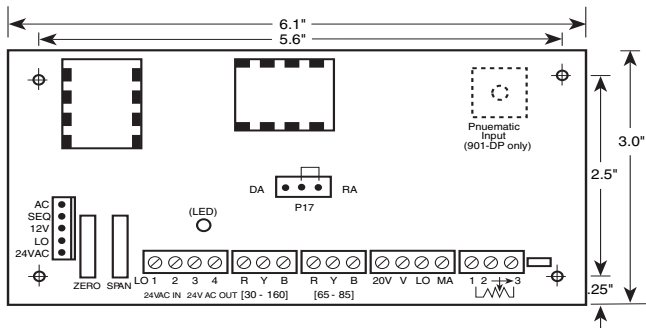
Front View
Thermostat Cover

906-13AW, 13ADRW, 19DDRW

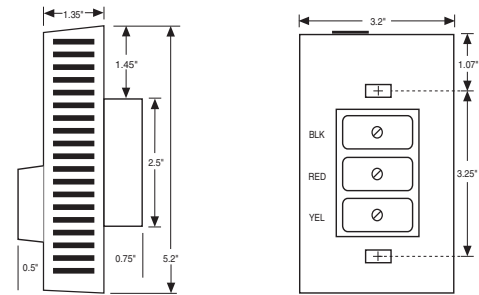


Front View
Electrical Box Cover (Wall plate)

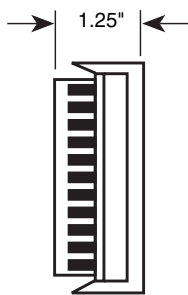
Base Plate for 906-13AW, 13ADRW



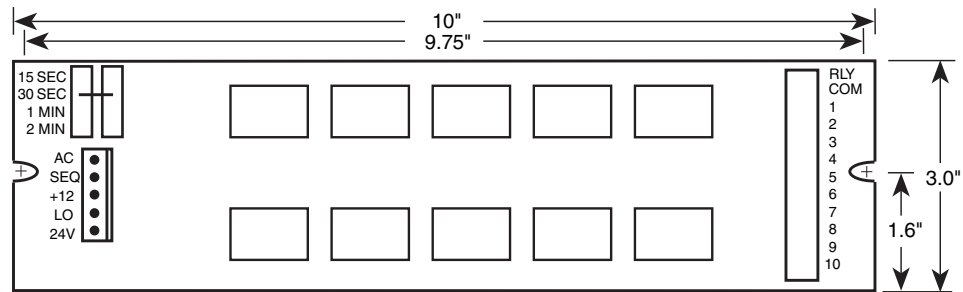
901-D or 901-DP



906-13W or 13DRW

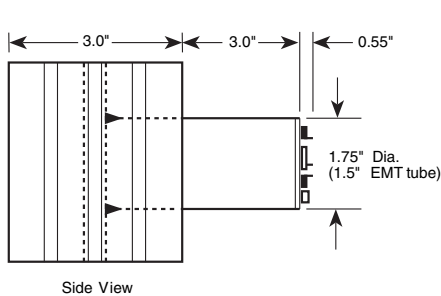


End View

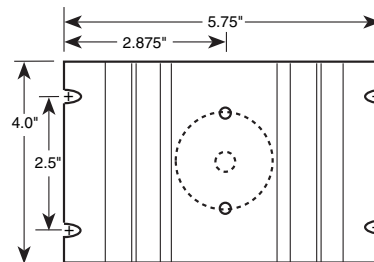


Top View

901-HR Sequencer



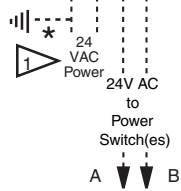
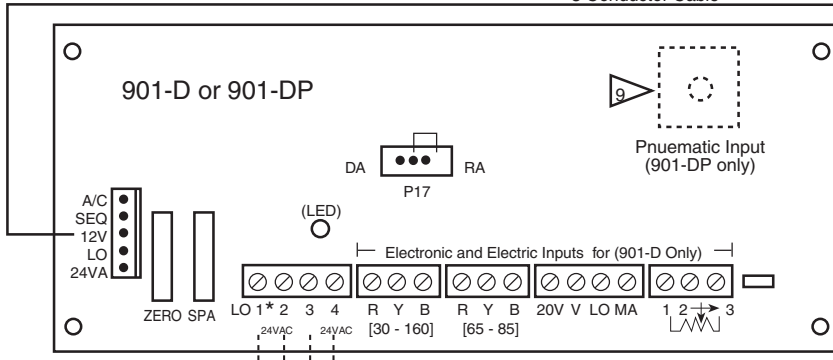
Side View



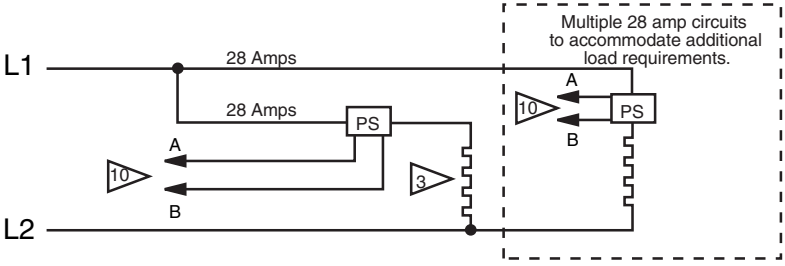
End View

900 Power Switch

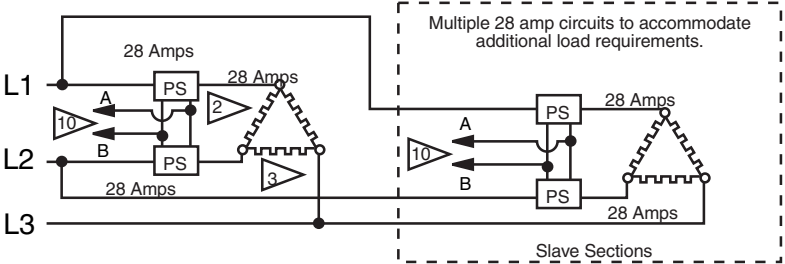
5 Conductor Cable



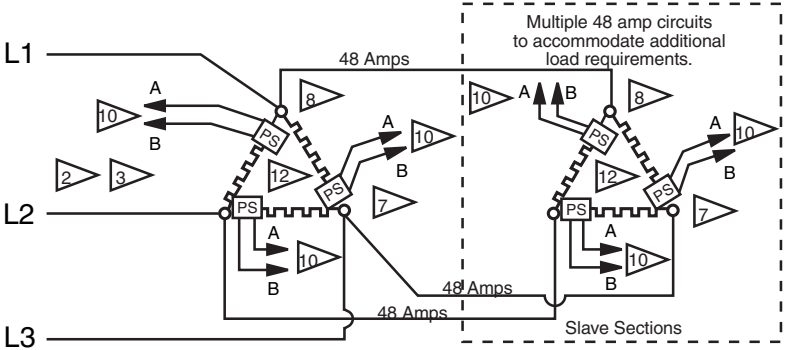
* If a 24V AC Power Input line must be grounded, ground ONLY the line connected to 24V AC IN terminal "LO 1".



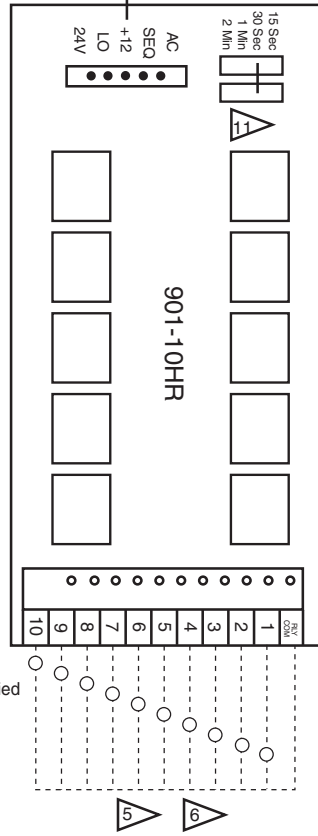
Single Phase



Three Phase Power Switch In Line



Three Phase Power Switch Inside Delta



LEGEND

- 1 Transformer sized for total Sequencer stages and SCRs.
- 2 No phasing required.
- 3 Each Power Switch rated at 28 Amps.
- 4 See 901-D and 901-DP Series Recalibration Instructions for inputs (page 4).
- 5 Up to 10 stages Max. — Heat only.
- 6 Each stage 1 Amp Max., 24V AC.
- 7 Inside/In-Line Wye circuit — 3 switches required. (Wye not shown)
- 8 Inside Delta connection — 3 switches required.
- 9 0 – 15 psi "on board" transducer on 901-DP.
- 10 24V AC in from Logic.
- 11 Field adjustable time delay. (15, 30, 60, 120 Seconds)
- 12 Three PSs inside the Delta @ 28 Amps provides 48 Amp in Line of Delta.

Hoffman|Controls